



WINLET 575TH

The Winlet 575TH is a glazing robot attachment designed to fit onto Telehandlers or Forklifts.

It has a maximum lifting capacity of 575kg and is ideal for installation of windows where terrain is difficult at a low level, or at a higher level where the telehandler can reach.



575kg max lifting capacity



Vacuum robots course

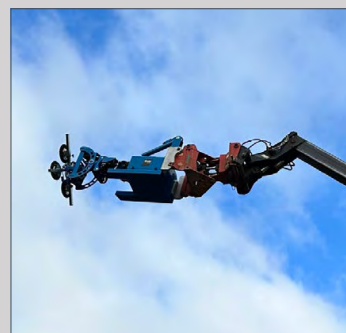


Technical Specifications	
Max Lifting Capacity	575kg
Lift Height	2700mm
Max Extension from front bumper to suction cup	400mm
Extension Capacity - at max extension	200kg
Tilt Function - Horizontal Arm	Back 60° / Forth 86°
Rotation	360°
Fine Lift on Jib Head	200mm
Suction Cups (Glass)	4 @ 410mm
Total Machine Weight	781kg
Battery	2x 60 AH
Forklift Points	70mm x 150mm
Remote Control	Wired



Multifunction control panel in operator friendly design with integrated buttons.

Signal lights and double action safety keys are both in the standard setup on the Winlet 575TH.



Fits onto Telehandler or forklifts with ease

With 7 hydraulic functions – both lateral / vertical movement, rotation and head slewing – glass panels can be manoeuvred carefully and precisely

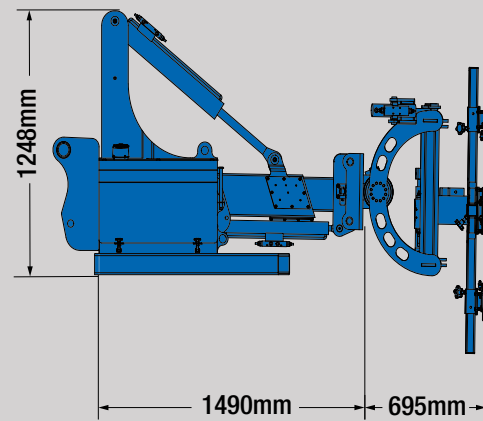
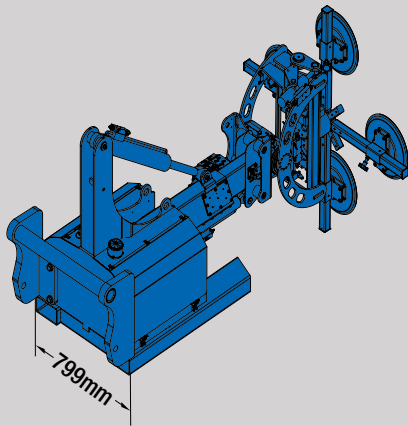
Accessories

- Wireless Radio Remote
- Quick Connector Set for Suction Cups
- LED Flashing Beacon
- Protective Cup Covers
- Remote Control Cover
- Drive Handle Cover
- All Weather Protection Kit
- Stone Suction Cups

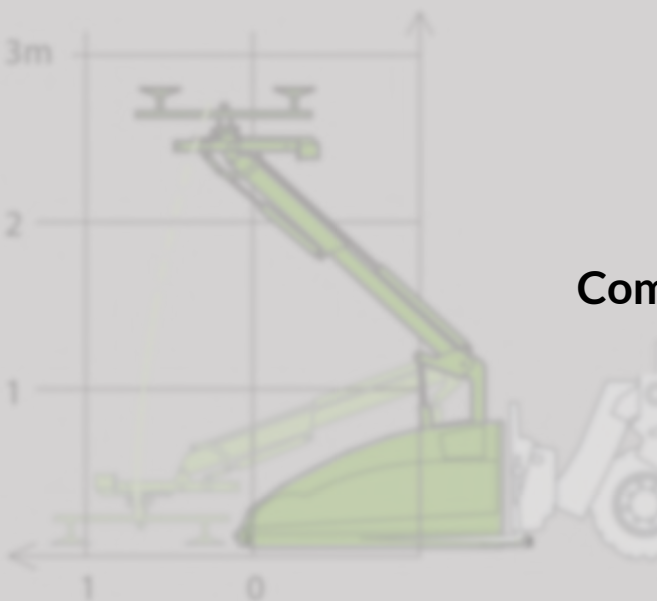


The Winlet 575TH has a hydraulic system which makes it independent from the telehandler

Dimensions



Pick up and place



Reach



Coming Soon