



WINLET 1000 TRX

Introducing the go (almost) anywhere glazing robot

The **Winlet 1000 TRX** Bi-Levelling is an admiral glazing robot distinguished by its all-terrain manoeuvrability. It can dynamically level the glazing manipulator on both tracking axes simultaneously.

1000kg max lifting capacity



Vacuum Robots course



Technical Specifications	
Max Lifting Capacity	1000kg
Lift Height	4500mm
Max Extension from front bumper to suction cup	2600mm
Extension Capacity - at max extension	350kg
Max Travelling Speed	2.2Km/ph
Suction Cups (Glass)	4 @ 410mm
Total Machine Weight	2850kg
Battery	48V, 420 AH
Remote Control	Wired

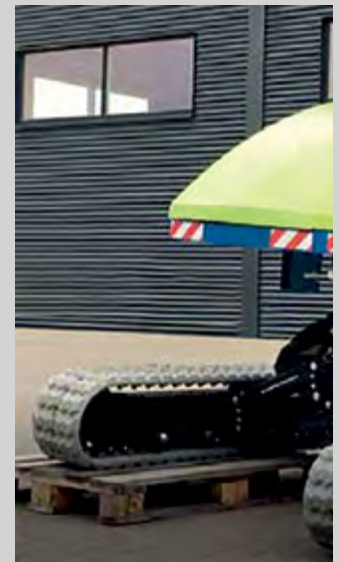
Accessories

- Quick Connector Set for Suction Cups
- LED Flashing Beacon
- Protective Cup Covers
- Remote Control Cover
- Stone Suction Cups



Crawled traction and low ground pressure

The Winlet Crawler Bi-Levelling can operate on all types of terrain, allowing for maximum manoeuvrability and precision even in the narrowest of spaces.



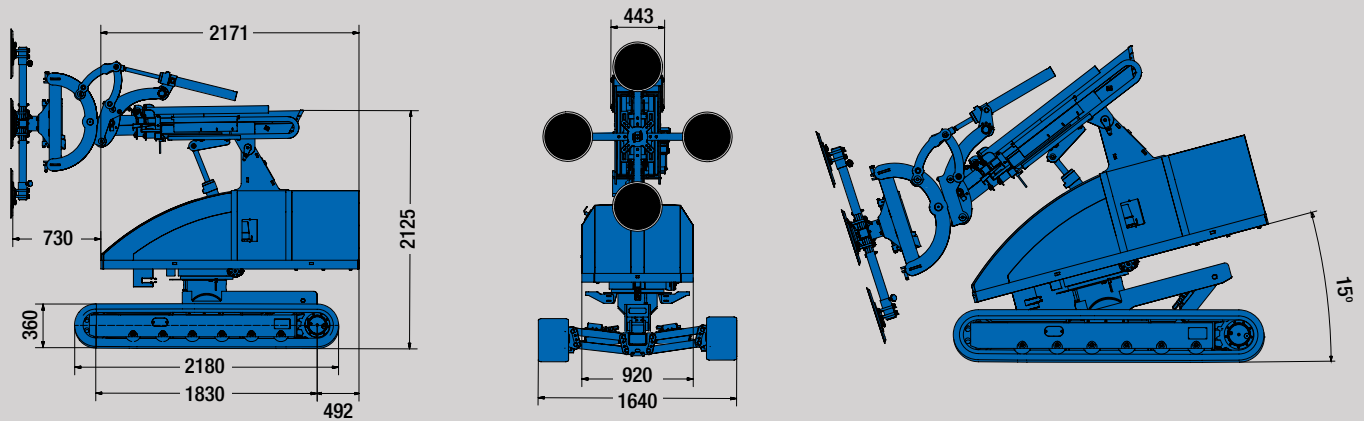
Dynamic Levelling

The levelling of the manipulator is completely automatic when using the Dynamic Levelling System even on slopes or uneven surfaces

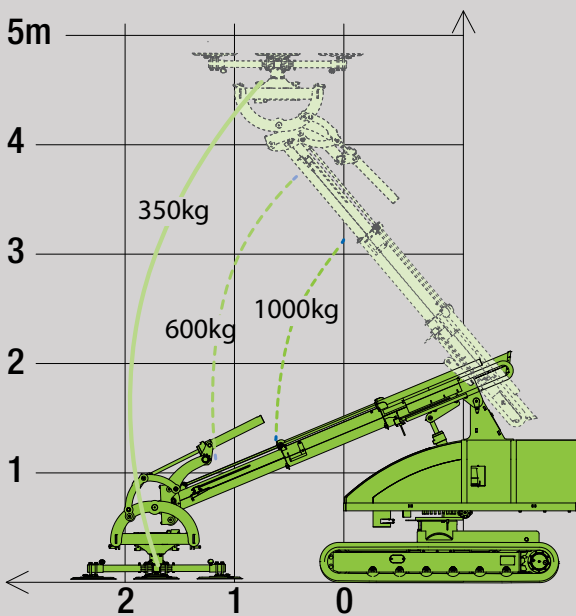


The Winlet 1000TRX has sophisticated sensors so loads are always transported and lifted safely and optimally

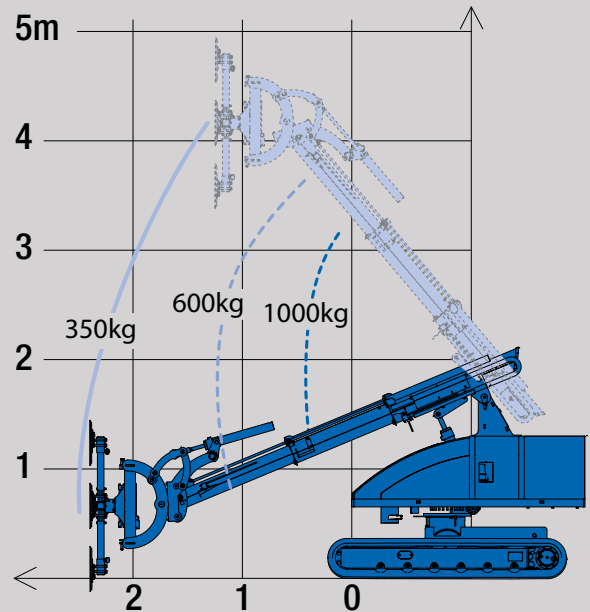
Dimensions



Pick up and place



Reach



ACCESSORIES		Winlet 350	Winlet 350TH	Winlet 400 TL	Winlet 575	Winlet 600	Winlet 785	Winlet 1000	Winlet 1000 TRX
	Wireless Radio Remote	✓	✓	✓	✓	✓	✓	✓	
	Support Legs	✓		✓	✓	✓	✓	✓	
	Extra Wide Steering Wheel	✓			✓				
	Twin Wheels	✓		✓	✓	✓	✓	✓	
	Quick Connector Set for Suction Cups	✓	✓		✓	✓	✓	✓	✓
	Quick Connector Set for Main Supply	✓	✓						
	Individual Shut Off Valves for Cups	✓	✓						
	Drive Alarm	✓		✓	✓	✓	✓	✓	
	LED Flashing Beacon	✓	✓	✓	✓	✓	✓	✓	✓
	Protective Cup Covers	✓	✓	✓	✓	✓	✓	✓	✓
	Remote Control Cover	✓	✓		✓	✓	✓	✓	✓
	Drive Handle Cover	✓		✓	✓	✓	✓	✓	
	All Weather Protection Kit	✓	✓		✓	✓	✓	✓	
	Stone Suction Cups	✓	✓	✓	✓	✓	✓	✓	✓